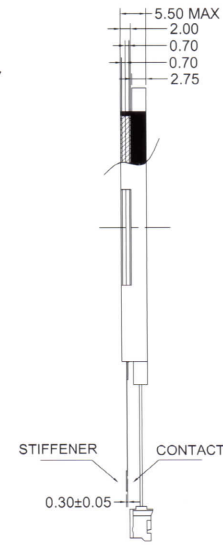
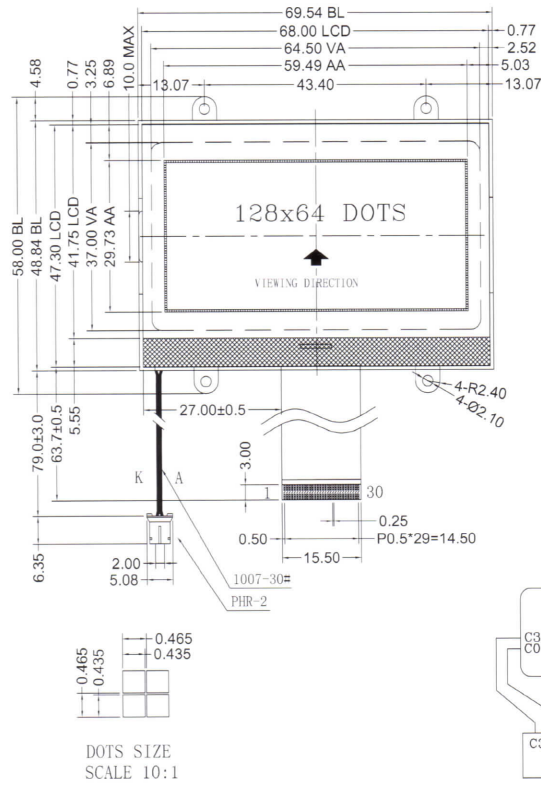


AQM1264DX SERIES

STANDARD GRAPHIC MODULE

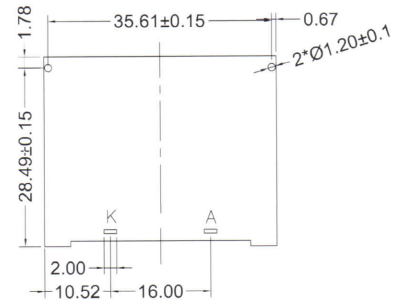
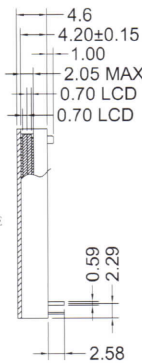
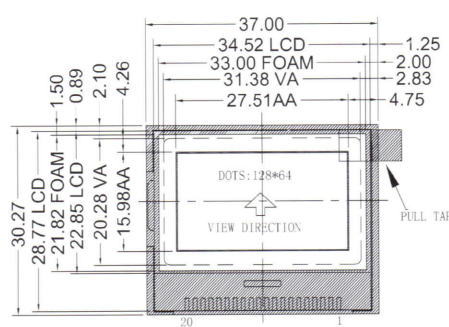
30	CS1
29	/RES
28	A0
27	/RW
26	/RD(E)
25	D0
24	D1
23	D2
22	D3
21	D4
20	D5
19	D6
18	D7
17	VDD
16	VSS
15	VOUT
14	CAP3+
13	CAP1-
12	CAP1+
11	CAP2+
10	CAP2-
9	V1
8	V2
7	V3
6	V4
5	V0
4	VR
3	C86
2	PS
1	IRS
PIN NO.	SYMBOL



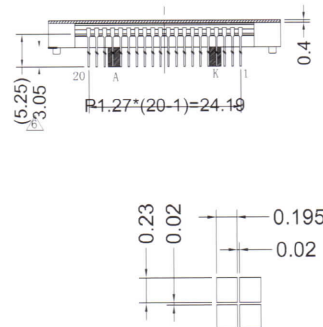
DOTS SIZE
SCALE 10:1

AQM1264BX SERIES

STANDARD GRAPHIC MODULE



20	NC
19	V0
18	V1
17	V2
16	V3
15	V4
14	CAP2-
13	CAP2+
12	CAP1+
11	CAP1-
10	CAP3+
9	VOUT
8	VSS
7	VDD
6	S1
5	SCL
4	A0
3	/RES
2	CS1
1	NC
PIN NO.	SYMBOL



DOTS DETAIL
SCALE:15/1

