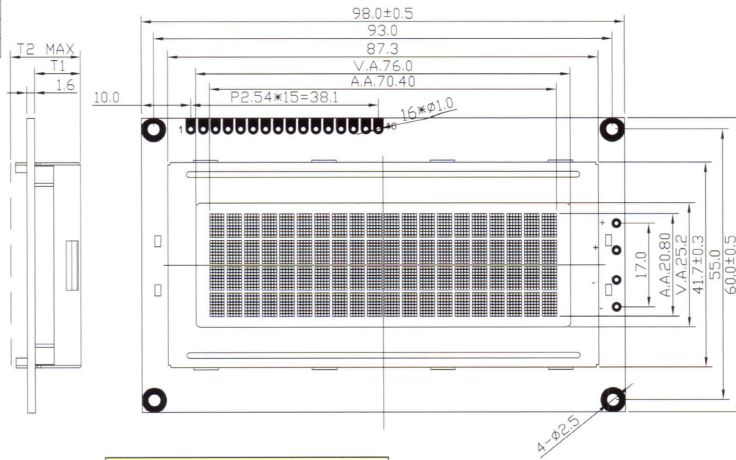


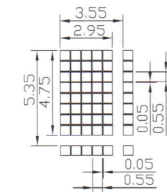
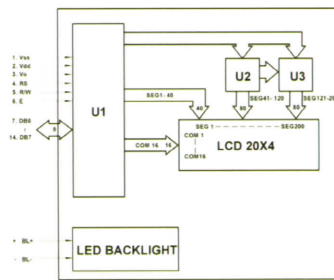
**ACM2004D SERIES**

**STANDARD CHARACTER MODULE**

ITEM	T1	T2
BACKLIGHT	9.3	14.2
WITHOUT BL	4.6	9.5

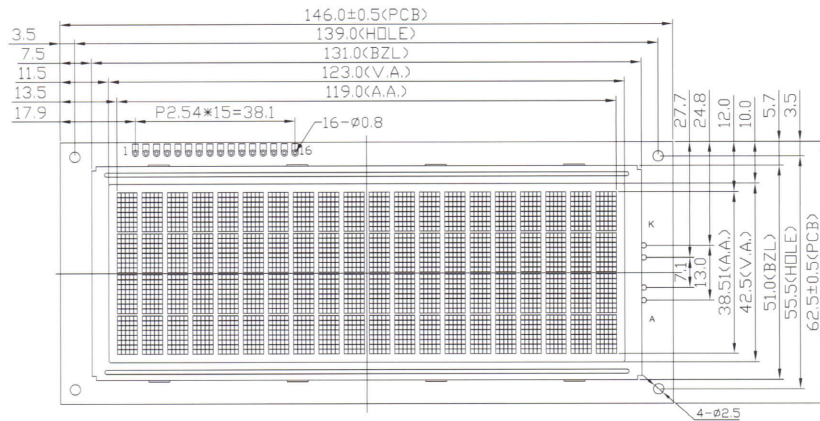


16	BL-
15	BL+
14	DB7
13	DB6
12	DB5
11	DB4
10	DB3
9	DB2
8	DB1
7	DB0
6	E
5	R/W
4	RS
3	V0
2	VDD
1	VSS
PIN	SYMBOL

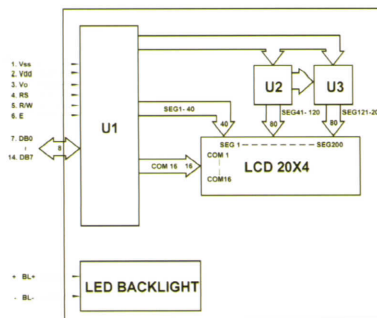


**ACM2004F SERIES**

**STANDARD CHARACTER MODULE**



16	BL-
15	BL+
14	DB7
13	DB6
12	DB5
11	DB4
10	DB3
9	DB2
8	DB1
7	DB0
6	E
5	R/W
4	RS
3	V0
2	VDD
1	VSS
PIN	SYMBOL



ITEM	T1	T2
BACKLIGHT	9.3	13.5
WITHOUT BL	4.6	9.5

